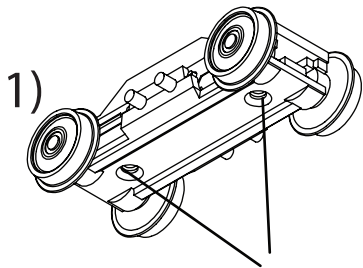
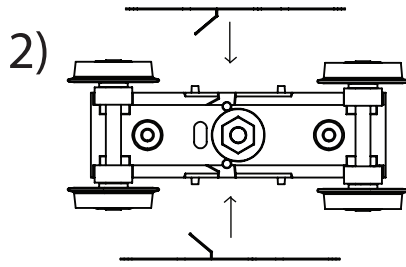


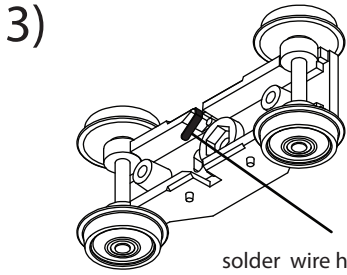
# SN52 Bix coach vagon electrical instalation



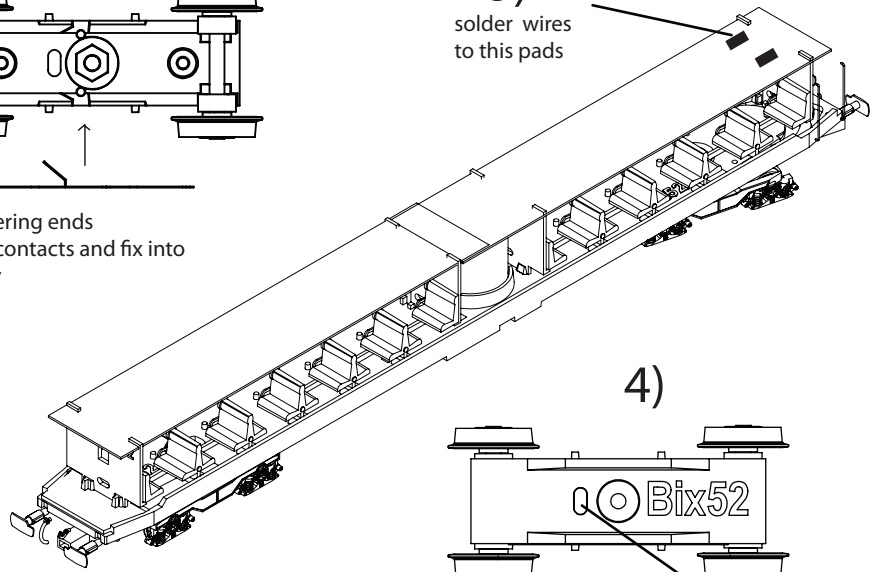
1) screw out 2 booth screws and remove cover



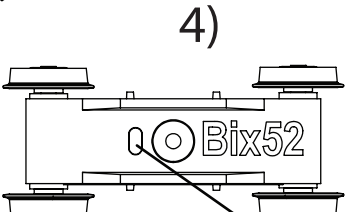
2) bend soldering ends of bronze contacts and fix into truck body



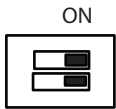
3) solder wire here (both bronze) length 5-6cm



5) solder wires to this pads

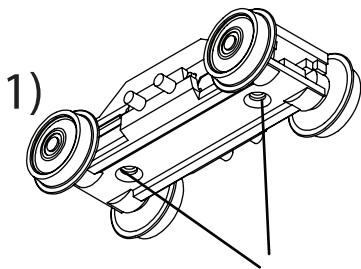


4) put wire through this hole to main PCB

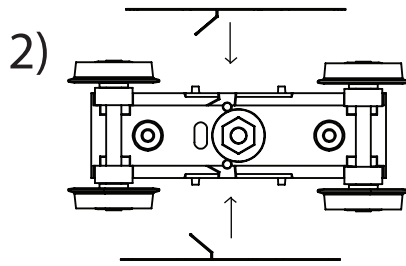


- 1 AUTO ON= interior light permanetly switched ON
- 2 F0 ON= activated by *F0\_forward* or *F0\_reverse* ligh function of NEM651 (diode OR function)

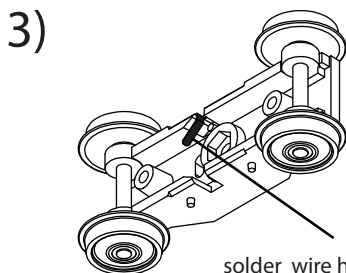
# SN52 Bix coach vagon electrical instalation



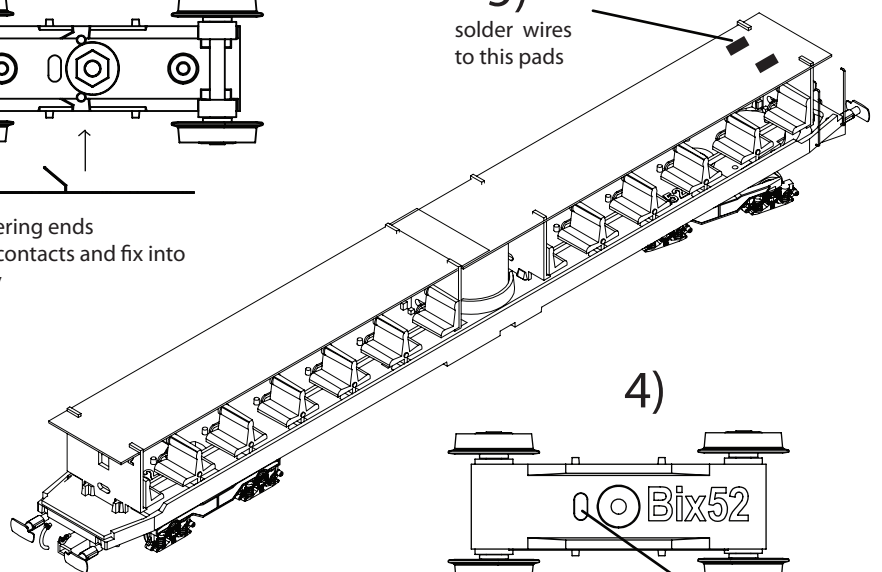
1) screw out 2 booth screws and remove cover



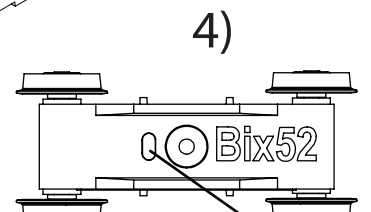
2) bend soldering ends of bronze contacts and fix into truck body



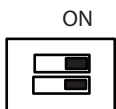
3) solder wire here (both bronze) length 5-6cm



5) solder wires to this pads



4) put wire through this hole to main PCB



- 1 AUTO ON= interior light permanetly switched ON
- 2 F0 ON= activated by *F0\_forward* or *F0\_reverse* ligh function of NEM651 (diode OR function)